

# The sealing system that works anywhere.

Our new sealing system Wisecure Kompakt provides ideal sealing of wall penetrations made for all kind of pipes as well as for cables. Kompakt has been tested and approved for up to 5 bars water pressure.

The 40 mm wide annual rubber seal is compressed by means of two stainless steel pressure plates and enclosed stainless-steel bolts. When compressed, the rubber expands and firmly closes the gap between concrete and pipe- or cable sleeve.

The comprehensive range of Kompakt seals is designed for universal use, covering all sectors within civil engineering and industrial applications.

## Wisecure Kompakt

The Kompakt seal can be used both on existing installations and when installing new systems.

In the Split version pressure plates are divided into semicircles which means the seal can be split in two and mounted around an existing pipe penetrating a wall.

When installing new pipes or cables we recommend the closed version.



VIBRATION & SOUND ABSORBING



FROM 18 MM & UPWARDS



TEMPERATURE RANGE



STRONG STAINLESS STEEL



HIGH RUBBER QUALITY



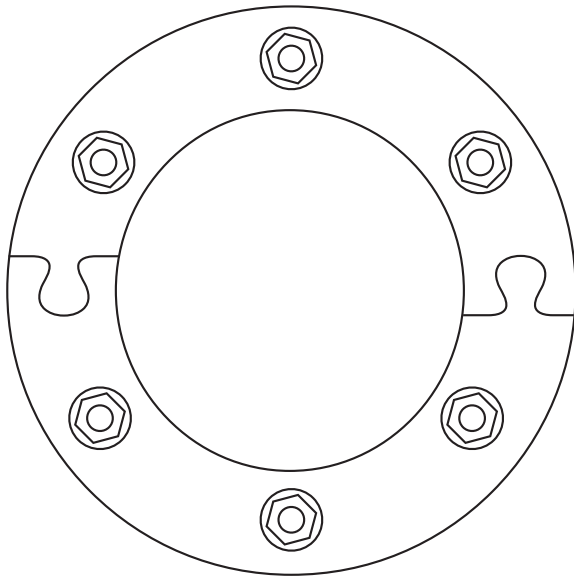
PRESSURE UP TO 1,5 BAR

## MODEL VARIA

FEATURES	VARIA 1.5 ND 80	VARIA 1,5 ND100/110	VARIA 1.0 ND100 SPLIT VERSION	VARIA 1.5 ND100 LWL KABEL	VARIA MAX 1,0 ND 150	VARIA MAX 1,0 ND200	
PRESSURE PLATES	S304	S304	S304 PARTS	S304	S304		
TIGHTNESS - BLIND						FOR NON PRESSING WATER	
TIGHTNESS WITH MEDIUM PIPE	1,5 BAR	1,5 BAR	1,0 BAR	1,0 BAR	1,0 BAR		
KTW/W270	NO	NO	NO	NO	NO		
RUBBER THICKNESS	40 MM	40 MM	40 MM	40 MM	40 MM		
RUBBER QUALITY	EPDM	EPDM	EPDM	EPDM	EPDM		
UV-RESISTANCE	NO	NO	NO	NO	YES		
TEMP. RANGE	-30°C TIL +120°C	-30°C TIL +120°C	-30°C TIL +120°C	-30°C TIL +120°C	-30°C TIL +120°C		
SHORE HARDNESS A	50 ± 5°	50 ± 5°	50 ± 5°	50 ± 5°	43 ± 5°		
CARRIER PIPE DIA.	18-45 MM	18-65 MM	20,25,32,40, 50,63 MM	32,40,50 OP TIL 14 LWL	60,3-63,75-76,1, 89,9-90,110 MM	110,125-139,7- 140, 160 MM	
CORE DRILLED	80 MM	100/110 MM	100 MM	100 MM	150 MM	200 MM	

The values specified for the pressure tightness are valid at 23°. For other, above all, higher permanent operating temperatures, an ejection safety device should, if required, be fitted.

# Wisecure Kompakt Varia



The Kompakt seal type Varia is a flexible wall penetration sealing system which can be used as a temporary blind plug for non pressing water or as a single lead-through for pressing water. The sealing range of the Kompakt seal e.g. type Varia 1.5 for a core drilled hole I.D. 100 mm is continuous from 18 up to 65 mm because of the small steps of 5 mm per ring. The Kompakt seal type Varia 1.0 for core drilled hole I.D. 100 is especially applicable by house lead-in for retrofitting. Four different sizes of carrier pipe can be passed through with the Varia seals core drilled holes I.D. 150 and 200 mm. The seals are especially made for plastic pipes with soft rubber.

The Kompakt type Varia 1.5 ND80 / ND100 / ND110 is made for a core drilled hole/wall sleeve I.D. 80 mm / 100mm / 110mm and for carrier pipes or cable, continuously from 18 to 45 mm / 18mm to 65mm / 110mm

The Kompakt type Varia 1.0 ND100 has been designed in a split version for a core drilled hole/wall sleeve I.D. 100 mm sleeve for retrofitting and can be used for carrier pipes, O.D. 20,25,32,40,50 and 63 mm.

The Kompakt type Varia ND150 is made for a core drilled hole/wall sleeve I.D. 150 mm and for carrier pipes O.D. 60,3-63, 75-76,1 , 88,9-90 and 110 mm.

**Pressure plates:** S304 parts Split version

**Pressure tight:** 1 bar

**Rubber thickness:** 40 mm

**Rubber material:** EPDM

**Temperature:** -30° to +120°C

**Shore:** 50 ± 5°

## Mounting instructions Kompakt

1. Each Kompakt seal consists of a rubber element, two pressure plates and several bolts, depending on seal size. Verify that the hole and pipe/cable dimensions are as per the specified model of Kompakt seal used.

2. Clean the inside of the core drilled hole from debris and remove any sharp edges. Clean the pipe jacket or cable sleeve. We recommend coating core drilled holes with KB epoxy resin in order to protect the concrete and smoothen out any cavities or grooves.

3a. If you are installing a Kompakt closed version thread the Kompakt seal over the casing pipe/cable all the way into the core drilled hole until the seal pressure plate is flush with the wall.

3b. If you have a Kompakt Split version unscrew the nuts on one of the semicircle pressure plates and remove the two plates on the back and front. With a sharp knife, make one single clean cut through the rubber element from front to back.

4. Tread the rubber element around the pipe/cable and mount the two semicircle pressure plates back. Push the seal into the core drilled hole until it's flush with the wall surface.

5. Always take care to ensure that the sealing is inserted with the nuts towards the inside of the building. In this way, nuts will be accessible for subsequent tightening.

6. Tighten first nut one turn clockwise. Then tighten the nut diagonally to the first one, on the opposite side. Continue in this way until maximum torque has been applied on all nuts. After two hours check the torque and if necessary, re-tighten.

Important notes:

- The Kompakt seal is not a pipe support or anchor. All pipes and cables must have proper support and fixations inside and outside the wall.
- Must be centred inside the core drill hole.
- When installed around thin plastic pipes a torque wrench must be used to avoid damages on the pipe jacket.
- Use wrench extender when installing in thick walls.

BOLT TYPE	MAX. TORQUE MOMENT
M6	5 NM
M8	10 NM
M10	15 NM
M12	20 NM

